

HP Color 9850mfp



The HP Color 9850mfp is a reliable, network-ready multifunction product for color document production environments.

Leading color performance

- **Improve productivity with rapid turnaround times.** The HP Color 9850mfp delivers outstanding productivity with up to 50 ppm color and black and white printing, copying, and scanning. Maintain high efficiency in demanding color production environments with a fast 7.6-second first page out in color and a 6-second first page out in black and white.
- **Produce professionally finished documents.** Give your documents a professional touch with versatile finishing solutions. Capable of handling a variety of media stock, the HP Color 9850mfp's optional finishing accessories can produce multiple sets of color and black and white marketing material. Finishing options include multi-position stapling, tri-folding, hole punching, saddle-stitched booklet making, trimming, and sheet insertion.
- **Print consistent color every time and eliminate wasteful reprinting.** CMYK Plus technology draws on HP's 15 years of experience with color science, color reproduction, and image science to deliver correct, rich, and vibrant colors without any intervention, enabling you to use all the color capabilities of your MFP. CMYK Plus technology makes colors more brilliant due to an extended color gamut. CMYK Plus technology translates a print file's CMYK data and optimizes it to match the output of a production device, not only producing excellent color consistency but also intensifying color and providing more contrast and saturation.
- **Create high-impact documents that impress your most demanding audience.** Better meet the needs of today's knowledge workers, business executives, and designers by employing a device that supports media up to 13 by 19 inch and heavy stock up to 110 lb in all trays or 140 lb in the HCI and multipurpose bypass trays.
- **Multiply your printing and copying performance.** Distribute print jobs between multiple devices with optional cluster printing support.

Reliable color

- **Increase productivity and reduce operating costs.** Designed for demanding color production environments, the dependable HP Color 9850mfp is backed by HP's reputation for reliability and world-class service. With a robust 150,000-page maximum monthly duty cycle, up to 4,250-sheet input capacity, and a continuous toner replacement system, you can experience worry-free printing.
- **Avoid costly job interruptions and service interventions.** Keep costs down and productivity up with the low intervention rate of the dependable HP Color 9850mfp, rated at a 100,000-page periodic maintenance interval.
- **Get assurance with a standards-based solution.** Designed to work in a variety of networking and production environments, all of the device accessories have been rigorously tested to ensure compatibility.

Color made easy

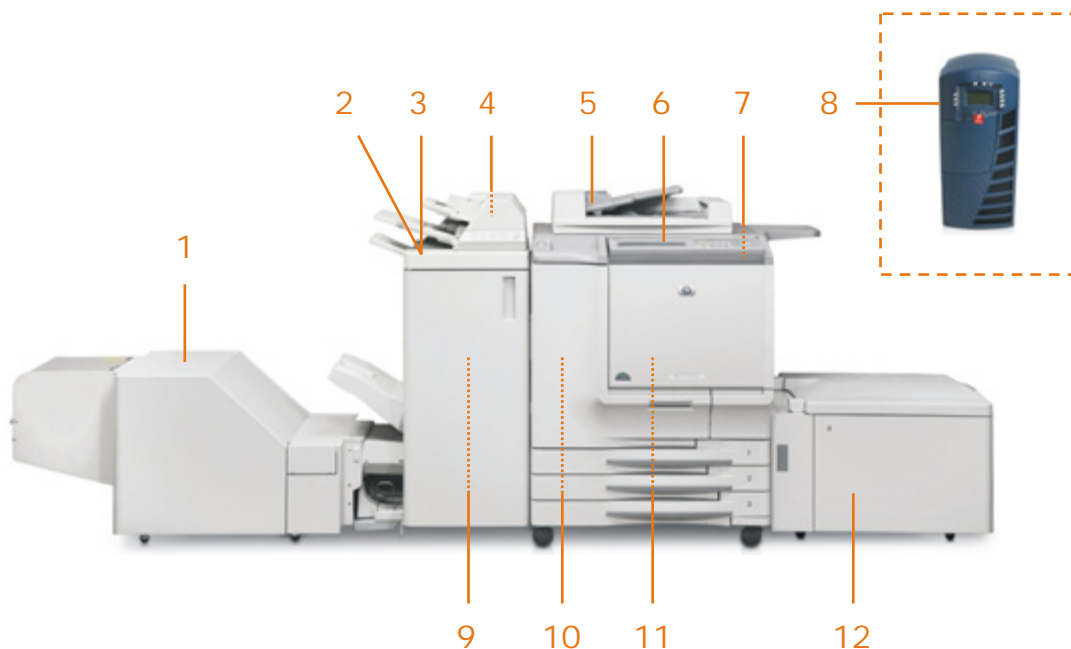
- **Easily integrate into an existing production environment.** The HP Color 9850mfp is designed to work with the entire HP family of printing products and to facilitate a balanced deployment.
- **Simplify job and enterprise management with industry-leading tools.** EFI's optional production workflow applications, like EFI® Command Workstation®, EFI Fiery® WebTools®, and EFI Balance™, make job management effortless. HP Web Jetadmin, HP's innovative web-based device management tool, enables easy remote management, troubleshooting, configuration, and diagnostics.

HP printing and imaging systems help you create powerful, professional communications easily. Multifunction products, printers, supplies, accessories, and services are designed to work together and are invented to meet your business needs.



HP Color 9850mfp

1. Optional HP Trimmer Unit cleans up the finished edges of saddle-stitched booklets
2. Optional HP 3,000-sheet Multifunction Finisher offers stapling, stacking, tri-folding, and saddle-stitch finishing and creates up to 80-page signature booklets
3. Optional HP 3,000-sheet Stapler/Stacker allows stapling for up to 50 sheets
4. Optional HP Post-Insertion Kit adds cover media and provides offline finishing
5. Reversing Automatic Document Feeder accepts both one- and two-sided originals in sizes up to tabloid/ledger
6. Easy-to-use and powerful touch screen and control panel includes a full digital copier feature set
7. Optional embedded EFI Fiery X3e print controller is ideal for cost-conscious color environments
8. Optional external EFI Fiery S300 print controller is ideal for high-volume environments
9. Optional HP Hole-Punch Kits provide 2-, 3-, or 4-hole punching
10. Built-in duplexer supports automatic two-sided printing and copying
11. High-capacity HP toner bottles increase your productivity
12. Optional 2,500-sheet HCL tray supports media up to 13 by 19 in



HP Color 9850mfp shown with optional accessories

Boost productivity

Get seamless connectivity to all popular network and server platforms, advanced color management capabilities, and Adobe® PostScript® 3 support with your choice of two optional EFI Fiery print controllers. Both print controllers integrate easily with the HP Color 9850mfp and other production-class MFPs to deliver outstanding speed, network connectivity, and document control. Both provide RGB, CMYK, spot color, and CMYK Plus support; support for native formats; full-featured Adobe PS and PCL drivers; color calibrations tools; VDP support; and automatic calibration.

- With a 2 GHz Intel® Pentium® 4 processor, the EFI Fiery S300 print controller is all about performance. It features a larger cache and an enhanced command set for faster processing of even your most graphic-intensive documents. The print controller's standard 512 MB of RAM provides ample memory to enable rapid page processing, avoiding slowdowns caused by file swapping with the hard drive and allowing deft handling of the most data-intensive files. 10/100/1000 Base T Ethernet capability enables fast transport of large amounts of data. PPML support facilitates fast processing for variable data printing, allowing you to store pre-ripped material, like high resolution images, on the print controller hard drive. This dramatically speeds up the overall process and reduces network and workstation traffic. With its own power supply, it continues processing even when the rest of the machine is shut off completely.

- The embedded EFI Fiery X3e print controller delivers the best value for performance. It costs one-third the price of similarly equipped external controllers, yet matches their functionality, making it an ideal entry-level solution.

Avoid network traffic

With the optional FACI kit, you can connect a monitor, mouse, and keyboard directly to the EFI Fiery S300 print controller. Perform calibration, imposition, and soft proofing on the print controller without impacting the network. By using Fiery ColorWise® and Color Profiler™ software directly on the RIP, rather than on a network PC, you avoid creating additional network traffic.

Service and support

HP offers a comprehensive portfolio of services for environments of all sizes and all types. For information, please contact HP or an authorized HP Reseller.

Advanced workflow management functions and low cost of ownership streamline the production of professional-quality color and black and white documents.



Simplify job management with optional workflow tools

The HP Color 9850mfp offers a comprehensive suite of applications designed for production environments.

DocBuilder Pro™

Preview, edit, and assemble digital documents at the print controller regardless of the application, file format, or platform.

Graphics Arts Package™

Developed to address the specific requirements of graphic arts professionals, the Fiery Graphics Arts Package is a comprehensive set of tools to achieve consistently accurate color and print quality.¹

Color Profiler Kit

Includes the EFI spectrometer, a fast, hand-held, color measurement device. Use the spectrometer as a densitometer to measure day-to-day fluctuations in inks and toners and to calibrate and compensate for fluctuations.

Data Center Package™

Provides full support for host printing in IBM mainframe and AS/400 enterprise systems. Offers users all of the advantages of EFI's Fiery workflow: high-quality color, extensive finishing options, and digital output devices.¹

EFI Balance

Enhance your production workflow and make printing and scanning more powerful, productive, and easier to manage from one centralized user interface. EFI's optional Balance workflow software is flexible, scalable, and integrates seamlessly into any printing process. EFI Balance reduces the potential for operator error, streamlines complex job cycles, and decreases job completion time – leading to maximum productivity and profitability.

- **EFI Balance Server™** — Determines which available device can best complete a print job and routes that print job automatically. It can also split a large, complex job between available devices.
- **EFI Remote Impose™** — Enables remote management for EFI Impose™, a document imposition (document layout) tool included with DocBuilder Pro.
- **EFI Scan™** — Import paper documents into your digital production workflow. Documents can be scanned, automatically converted to PDF for editing, and sent to a print controller for electronic copying and processing.
- **EFI Compose™** — Dramatically reduces composition time with its powerful, fast, and user-friendly interface. Provides PDF-based thumbnails, ideal for handling large, complex documents with inserts or merged files from digital or scanned hardcopies.

¹ Fully supported with the EFI Fiery S300 external print controller only.

Other software options are available. For information, please contact HP or an authorized HP Reseller.

Paper-handling accessories

Produce finished documents with the touch of a button

HP 3,000-sheet Multifunction Finisher (Q5687A)

Produce complete, ready-to-use documents in a single step with multiple-position stapling, stacking, tri-folding, and saddle-stitch booklet making. Add the HP Post-Insertion Kit to insert cover sheet media.



HP 3,000-sheet Stapler/Stacker (Q5686A)

Sort, staple-sort, and group documents into finished sets. Add the HP Post-Insertion Kit to insert cover sheet media.



HP Trimmer Unit (Q5688A)

Complete the professional appearance of your reports and brochures with the HP Trimmer Unit. (HP Trimmer Adaptor Unit is required.)



HP 2,500-sheet HCI (Q5690A)

Increase your media input capacity to 4,250 sheets with the HCI.



HP Hole-Punch Kits (Q3635A, Q3689A, Q3690A, or Q3691A)

Add 2, 3, or 4-hole punches to your documents with the HP Hole-Punch Kits. (An optional HP Hole-Punch Kit may be added to the HP 3,000-sheet Multifunction Finisher or HP 3,000-sheet Stapler/Stacker.)

HP Color 9850mfp

Technical specifications

Print, copy, scan speed² (letter/A4)	Up to 50 pages per minute
First page out	Approximately 6.0 seconds (black and white), 7.6 seconds (color)
Resolution	600 x 600 dpi (scanning, copying, and printing graphics and text) 600 x 1800 dpi, enhanced resolution mode
Processor³	MFP engine: Intel Celeron® 850 MHz EFI Fiery S300 external print controller: 2 GHz Intel Pentium 4 processor
Memory/Storage	MFP engine: 512 MB RAM, expandable to 1.5 GB with 1 GB (256 MB x 4) memory upgrade EFI Fiery S300 external print controller: 512 MB RAM, expandable to 1 GB with 512 MB (256 MB x 2) memory upgrade EFI Fiery X3e embedded print controller: 256 MB RAM, expandable to 512 with 256 MB memory upgrade HP MFP Engine Hard Drive (20 GB)
Duty cycle	Up to 150,000 pages per month
Toner	Black, yellow, magenta, and cyan polymerized toner (30,000 black and white pages or 20,000 color pages at 5 percent coverage)
Media	
Media handling (input)	Bypass Tray: 250-sheet multipurpose tray (supports custom sizes); Trays 1, 2, and 3: 500-sheet input tray (supports custom sizes); Optional Tray 4: 2,500-sheet input tray (supports custom sizes); 100-sheet Reversing Automatic Document Feeder
Media handling (finishing), all optional	HP 3,000-sheet Stapler/Stacker, HP 3,000-sheet Multifunction Finisher, HP Trimmer Unit, HP Post-Insertion Kit (for cover sheet insertion), HP Hole-Punch Kits
Input capacity	Standard: 1,750 sheets Maximum: 4,250 sheets
Media sizes	Minimum (Trays 1, 2, 3, and optional Tray 4): 8.5 by 5.5 inches Minimum (bypass tray): 3.94 by 5.83 inches Maximum (all trays): 13 by 19 inches
Media weights	Recommended: 28 lb bond Maximum (all trays): up to 110 lb index Maximum (HCL and bypass trays): up to 140 lb index
Network operating systems	Microsoft® Windows® 98, ME, NT® 4.0, 2000, XP; Novell Server 4.2 or later supporting Ethernet 802.2, 802.3, Ethernet II and Ethernet SNAP; NetWare 5.1 or later, 6.x supporting Ethernet II; Apple Mac OS 9.2, 10.2.4 or later
Connectivity	1 LAN Ethernet port 10/100/1000, 1 FireWire port (used only for connecting the MFP to the external print controller), 1 parallel port (available only in embedded print controller)
Languages and fonts	PostScript Level 3™, PCL 6 136 PostScript scalable fonts, 82 PCL scalable fonts, 4 Euro fonts
Dimensions (with RADF)	29.9 by 35 by 46.4 inches
Weight (with RADF)	722 lb

² Approximate figures, based on printing with plain, letter-sized paper. Exact speed depends on system configuration, software programs, and document complexity.

³ Standard with the optional print controller.

Environmental ranges	
Operating temperature	Operating: 50 to 86° F
Relative humidity	Operating: 10 to 80 percent relative humidity (RH)
Altitude	Operating: to 10,000 ft; Non-operating: to 15,000 ft
Acoustics	
Sound power level	<78 dBA
Power consumption	
	60 Hz units
Active	1,603 Wh
Standby	548 Wh
PowerSave	11 Wh
Off	0.2 Wh
	50 Hz units
Active	1,618 Wh
Standby	568 Wh
PowerSave	12 Wh
Off	0.2 Wh
Power requirements	208 – 240 VAC +/- 10%, 60 Hz., 20 Amp dedicated circuit
Compliance/safety	Compliant with: USA UL listed to UL 1950: third edition, CDRH approved to 21CFR Ch. 1, Subch. J; Canada CUL certified to CSA 22.2 number 950:1995; Germany TUV Licensed to EN60950:1992, EN 60825-1:1993 +A1; EU - Low Voltage Directive, CB Certificate to IEC60950:1991, +A1, A2, A3, A4; Singapore PSB Approval to IEC 60950:1991; China CCIB Approval to GB4943:1991; Mexico NOM-NYCE Certified to NOM-019-SCFI-1998; Russia GOST licenses to IEC60950
Warranty	90-day parts only warranty For information on a Service Maintenance Contract on your product, please contact HP or an authorized HP Reseller.

⁴ Supported by EFI Fiery S300 external print controller only.

⁵ Supported by EFI Fiery X3e embedded print controller only.



ENERGY STAR is a U.S. registered service mark of the United States Environmental Protection Agency. As an ENERGY STAR partner, HP has determined that this product meets the guidelines for energy efficiency. Adobe, Adobe Acrobat, and Adobe Postscript are trademarks of Adobe Systems Incorporated. ColorWise, Command WorkStation, EFI, and Fiery are registered trademarks of Electronics For Imaging, Inc. in the U.S. Patent and Trademark Office and/or certain other foreign jurisdictions. Intel and Intel Pentium are trademarks or registered trademarks of Intel Corporation or its subsidiaries in the United States and other countries. Microsoft, Microsoft Windows, and Microsoft Windows NT are U.S. registered trademarks of Microsoft Corporation. All other brand and product names are trademarks or registered trademarks of their respective companies.

© Copyright 2005 Hewlett-Packard Development Company, L.P.

The information contained herein is subject to change without notice. The only warranties for HP products and services are set forth in the express warranty statements accompanying such products and services. Nothing herein should be construed as constituting an additional warranty. HP shall not be liable for technical or editorial errors or omissions contained herein.

Ordering information

HP product	Number
HP Color 9850mfp	Q3225A #484
HP Localization Kit	Q7577A
Paper handling	
HP Automatic Document Feeder	Q3228A
HP 3,000-sheet Stapler/Stacker	Q5686A
HP 3,000-sheet Multifunction Finisher	Q5687A
HP 2,500-sheet HCL for letter/A4 and ledger/A3	Q5690A
HP Post Insertion Kit	Q3636A
HP Trimmer Unit	Q5688A
HP Trimmer Adaptor Unit	Q5689A
HP Hole-Punch Kits	
HP 2-Hole Punch Kit	Q3689A
HP 3-Hole Punch Kit	Q3635A
HP 4-Hole Punch Kit	Q3690A
HP 4-Hole Punch Kit (Swedish)	Q3691A
Supplies	
HP Black Toner Bottle	Q5920C
HP Yellow Toner Bottle	Q5922C
HP Magenta Toner Bottle	Q5923C
HP Cyan Toner Bottle	Q5921C
HP staple cartridge (3 pack)	Q3641A
Print Controller	
EFI Fiery S300 external print controller includes cabling, network connectivity, 60 GB hard disk drive, system software, and documentation	Q5695A
EFI Fiery X3e embedded print controller includes mounting kit, network connectivity, 40 GB hard disk drive, system software and documentation	Q7433A
EFI Fiery print controller FACI Kit includes monitor, keyboard, and mouse for the EFI print controller ⁴	Q7001A
Software	
EFI Balance Server license:	
2 engines	Q5696A
each additional engine (Q5696A is required)	Q5698A
EFI Remote Impose, 3 seats (Q5696A is required)	Q7002A
EFI Compose (Q5696A is required)	Q6997A
EFI Scan (Q5696A is required)	Q5700A
EFI DocBuilder Pro	Q5704A
EFI Graphic Arts Package ⁴	Q6991A
EFI Graphics Arts Lite Package ⁵	Q7436A
EFI Data Center Package ⁴	Q6994A
EFI Color Profiler Kit	Q6992A
Memory/Storage	
1 GB (256 MB x 4) MFP engine memory upgrade	Q6993A
512 MB (256 MB x 2) EFI Fiery® S300 external print controller memory	Q7428A
256 MB EFI Fiery® X3e embedded print controller memory	Q7435A
HP MFP Engine Hard Drive (20 GB)	Q5694A

For more information visit our website at www.hp.com/go/mfp

5982-3554ENUC, 03/2005, Rev. 3

